

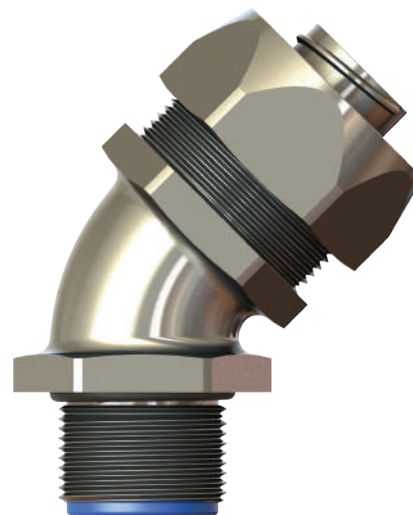
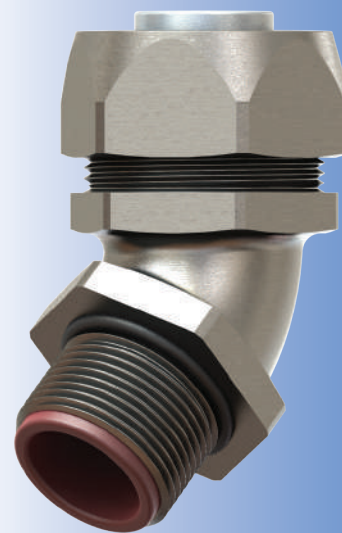
## 45° Liquid Tight Conduit Fittings Male, Brass

### 45° Liquid Tight Conduit Fittings , Brass

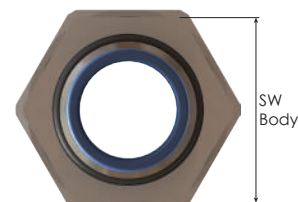
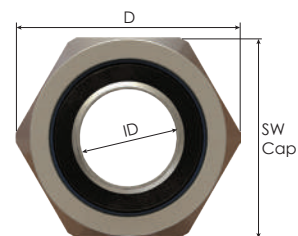
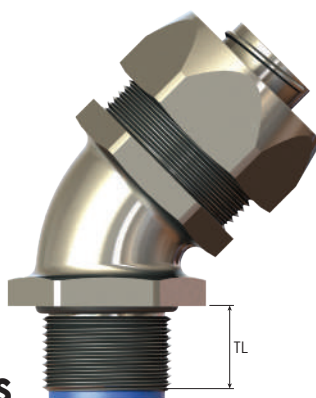
- Fittings for Sealrite conduits.
- For metal machines and housings.
- For standard industrial applications in harsh environments.
- Great corrosion protection.
- Easy assembly.
- High quality strain relief and sealing, reliable performance for standard industrial applications.

#### Technical Details

	<b>Body, Cap</b>	Brass Nickel plated		
	<b>Ferrule</b>	Brass nickel plated or Steel zinc plated		
<b>Material</b>	<b>Prot.Bushing</b>	Polyamide 6 V2	<b>Metric</b>	<b>PG</b>
	<b>Seal Ring</b>	Polyamide 6 V2		
	<b>O-Ring</b>	NBR		
<b>Ingress Protection Rating</b>		IP 65		
		IP 66		
<b>Operating Temperature</b>		<b>Permanent</b>		
		-45 °C to +105 °C		
<b>Cable Type</b>	Non armoured			
<b>Thread Type</b>		• Metric EN 60423		
		• PG DIN 40430		
		• NPT ANSI B1.20.1		
<b>Accessories</b>		• Lock nuts		
		• Also available in Stainless Steel		
<b>Remarks</b>		• O-ring available in Metric and PG threads.		
		• Accessories must be ordered separately.		



## 45° Liquid Tight Conduit Fittings Male, Brass



### Thread Type **METRIC** acc. to EN 60423

Outer Thread Size (Male)	For Sealtite Nominal Size	Outer Thread Length	Spanner Width		Outer Ø	Inner Ø	Part Number	Minimum Order Quantity
			Cap	Body				
		TL mm	SW Cap mm	SW Body mm	D mm	ID mm		
M16x1,5	5/16"	11,5	26	22	29,0	8,3	<b>BBFM-02(S) 45</b>	200
	3/8"	11,5	26	22	29,0	10,2	<b>BBFM-02 45</b>	200
M20x1,5	3/8"	13,0	26	22	29,0	10,2	<b>BBFM-03(S) 45</b>	200
	1/2"	13,0	29	27	32,7	13,5	<b>BBFM-03 45</b>	200
M25x1,5	3/4"	15,0	35	33	39,0	18,5	<b>BBFM-04 45</b>	100
M32x1,5	1"	15,0	45	42	50,0	23,5	<b>BBFM-05 45</b>	70
M40x1,5	1 1/4"	16,0	54	51	60,0	31,8	<b>BBFM-06 45</b>	50
M50x1,5	1 1/2"	18,0	63	60	69,3	36,8	<b>BBFM-07 45</b>	24
M63x1,5	2"	20,0	77	74	85,0	47,8	<b>BBFM-08 45</b>	16

### Thread Type **PG** acc. to DIN 40430

Outer Thread Size (Male)	For Sealtite Nominal Size	Outer Thread Length	Spanner Width		Outer Ø	Inner Ø	Part Number	Minimum Order Quantity
			Cap	Body				
		TL mm	SW Cap mm	SW Body mm	D mm	ID mm		
PG 11	5/16"	11,5	26	22	29,0	8,3	<b>BBFB-03(S) 45</b>	200
	3/8"	11,5	26	22	29,0	10,2	<b>BBFB-03 45</b>	200
PG 13,5	3/8"	11,5	26	22	29,0	10,2	<b>BBFB-04 45</b>	200
PG 16	1/2"	13,0	29	27	32,7	13,5	<b>BBFB-05 45</b>	200
PG 21	3/4"	15,0	35	33	39,0	18,5	<b>BBFB-06 45</b>	100
PG 29	1"	15,0	45	42	50,0	23,5	<b>BBFB-07 45</b>	70
PG 36	1 1/4"	16,0	54	51	60,0	31,8	<b>BBFB-08 45</b>	50
PG 42	1 1/2"	18,0	63	60	69,3	36,8	<b>BBFB-09 45</b>	24
PG 48	2"	20,0	77	74	85,0	47,8	<b>BBFB-10 45</b>	16

### Thread Type **NPT** acc. to ANSI B1.20.1

Outer Thread Size (Male)	For Sealtite Nominal Size	Outer Thread Length	Spanner Width		Outer Ø	Inner Ø	Part Number	Minimum Order Quantity
			Cap	Body				
		TL mm	SW Cap mm	SW Body mm	D mm	ID mm		
NPT 1/2"	3/8"	13,0	26	22	29,0	10,2	<b>BBFN-02(S) 45</b>	200
	1/2"	13,0	29	27	32,7	13,5	<b>BBFN-02 45</b>	200
NPT 3/4"	3/4"	15,0	35	33	39,0	18,5	<b>BBFN-03 45</b>	100
NPT 1"	1"	15,0	45	42	50,0	23,5	<b>BBFN-04 45</b>	70
NPT 1 1/4"	1 1/4"	16,0	54	51	60,0	31,8	<b>BBFN-05 45</b>	50
NPT 1 1/2"	1 1/2"	18,0	63	60	69,3	36,8	<b>BBFN-06 45</b>	24
NPT 2"	2"	20,0	77	74	85,0	47,8	<b>BBFN-07 45</b>	16