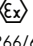





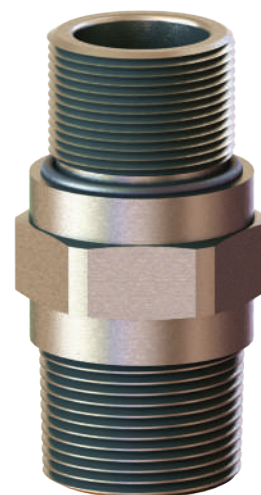


Nipples for Ex d/e Applications

Technical Details	
Material	Body Brass, Brass Nickel Plated, Stainless Steel 316L O-ring CR (Chloroprene), Silicone
Ingress Protection Rating	IP 68 - 5 Bar, 30 min IP 66
Operating Temperature	O-ring Material CR (Chloroprene) -40°C to +100°C Silicone -60°C to +130°C
Equipment For	• Gas & Dust potentially explosive atmospheres.
Suitable for use in	Group II Gas Group IIC ZONE1/ZONE2 Group III Dust Group IIIC ZONE21/ZONE 22
Equipment Marking	Ex II 2GD Ex db IIC Gb Ex eb IIC Gb Ex tb IIIC Db
Marking Example *	BMD B-RN.. CE 0722  II 2GD Ex db IIC Gb Ex eb IIC Gb Ex tb IIIC Db Ta-40°C to +100°C IP66/68 CESI 13 ATEX 066X IECEx CES 13.0022X • Metric (M) ISO Pitch 1,5 • Npt (N) ANSI ASME B1.20.1 • PG (P) DIN 40430 • (G) GAS UNI ISO 228/1
Thread Type	
Accessories	• Gaskets (Washers)
Remarks	• Accessories must be ordered separately. • O-ring only available when male thread is Metric.
Approvals	Certificate Number Standards
	CESI 13 ATEX 066X EN 60079-0:2012+A11:2013 EN 60079-1:2014 EN 60079-7:2015 EN 60079-31:2014
	IECEx CES 13.0022X IEC 60079-0:2011 Edition:6 IEC 60079-1:2014 Edition:7 IEC 60079-31:2013 Edition:2 IEC 60079-7:2015 Edition:5
	№ TC RU C-TR.AA87.B.00941 ГОСТ 31610.0-2014 ГОСТ IEC 60079-1:2013 ГОСТ IEC 60079-31:2013
	DNV 12.0150 X ABNT NBR IEC 60079-0:2008, ABNT NBR IEC 60079-1:2009, ABNT NBR IEC 60079-7:2008, ABNT NBR IEC 60079-31:2011
	E-14044 IEC/EN60079-0, IEC/EN60079-7, IEC/EN60079-31, IEC/EN60079-1 & IEC/EN 62444

-For more information see our webpage.

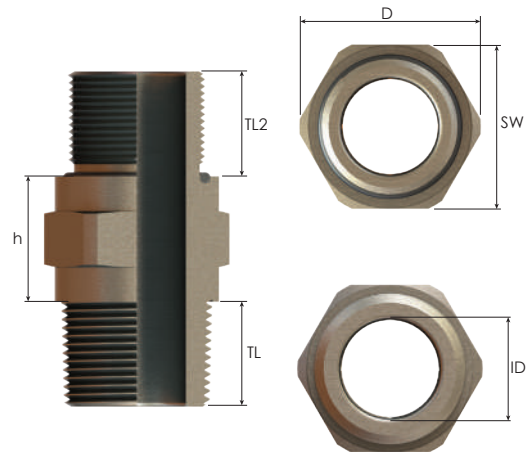
* The standard marking consists ATEX & IECEx only. Marking acc. to other standards on request.



Order Coding				
Part Number	Material	Seal	-	Gasket
Mandatory	Mandatory	Mandatory	-	Option
See table	B Brass BN Brass Nickel plated X Stainless Steel 316L	C Chloroprene S Silicone	-	WC Chloroprene WS Silicone WF Fiber
Example				
B-RN8M8M	A	C	-	WS

PAVO

Nipples for Ex d/e Applications

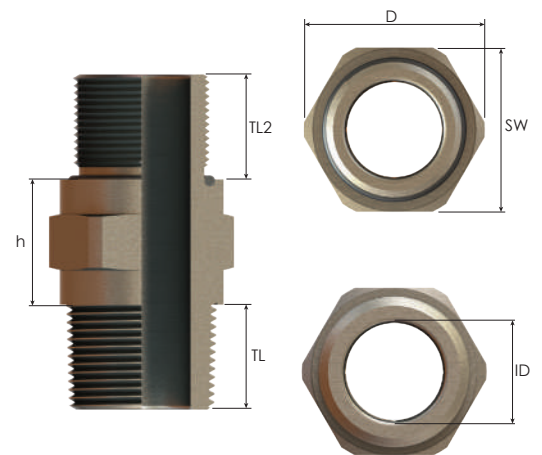


Thread Type **METRIC** > **METRIC** acc. to ISO 965-3

Outer Thread Size (Male)	Outer Thread Size 2 (Male)	Outer Thread Length	Outer Thread Length 2	Spanner Width	Outer Ø	Inner Ø	Height	Part Number
		TL mm	TL2 mm	SW mm	D mm	ID mm	h mm	
M16x1,5	M16x1,5	15,0	15,0	20	22,0	10,0	18,0	B-RN01M01M
M20x1,5	M16x1,5	15,0	15,0	24	26,5	10,0	18,0	B-RN1M01M
	M20x1,5	15,0	15,0	24	26,5	14,0	18,0	B-RN1M1M
M25x1,5	M16x1,5	15,0	15,0	32	35,0	10,0	20,0	B-RN2M01M
	M20x1,5	15,0	15,0	32	35,0	14,0	20,0	B-RN2M1M
	M25x1,5	15,0	15,0	32	35,0	19,0	20,0	B-RN2M2M
M32x1,5	M20x1,5	15,0	15,0	36	39,5	14,0	20,0	B-RN3M1M
	M25x1,5	15,0	15,0	36	39,5	19,0	20,0	B-RN3M2M
	M32x1,5	15,0	15,0	36	39,5	26,0	20,0	B-RN3M3M
M40x1,5	M25x1,5	15,0	18,0	45	50,0	19,0	20,0	B-RN4M2M
	M32x1,5	15,0	18,0	45	50,0	26,0	20,0	B-RN4M3M
	M40x1,5	18,0	18,0	45	50,0	34,0	20,0	B-RN4M4M
M50x1,5	M32x1,5	15,0	18,0	55	61,0	26,0	22,0	B-RN5M3M
	M40x1,5	18,0	18,0	55	61,0	34,0	22,0	B-RN5M4M
	M50x1,5	18,0	18,0	55	61,0	44,0	22,0	B-RN5M5M
M60x1,5	M40x1,5	18,0	18,0	70	77,0	34,0	22,0	B-RN6M4M
	M50x1,5	18,0	18,0	70	77,0	44,0	22,0	B-RN6M5M
	M60x1,5	18,0	18,0	70	77,0	54,0	22,0	B-RN6M6M
M63x1,5	M50x1,5	18,0	18,0	70	77,0	44,0	22,0	B-RN6M5M
	M60x1,5	18,0	18,0	70	77,0	54,0	22,0	B-RN6M6M
	M63x1,5	18,0	18,0	70	77,0	57,0	22,0	B-RN6M6M
M70x1,5	M60x1,5	18,0	18,0	80	88,5	54,0	26,0	B-RN7M6M
	M63x1,5	18,0	18,0	80	88,5	57,0	26,0	B-RN7M6M
	M70x1,5	18,0	18,0	80	88,5	64,0	26,0	B-RN7M7M
M75x1,5	M63x1,5	18,0	18,0	85	94,0	57,0	26,0	B-RN7M6M
	M70x1,5	18,0	18,0	85	94,0	64,0	26,0	B-RN7M7M
	M75x1,5	18,0	18,0	85	94,0	69,0	26,0	B-RN7M7M
M80x1,5	M70x1,5	18,0	18,0	90	100,0	64,0	26,0	B-RN8M7M
	M75x1,5	18,0	18,0	90	100,0	69,0	26,0	B-RN8M7M
	M80x1,5	18,0	18,0	90	100,0	74,0	26,0	B-RN8M8M
M85x1,5	M75x1,5	18,0	18,0	95	105,0	69,0	26,0	B-RN8M7M
	M80x1,5	18,0	18,0	95	105,0	74,0	26,0	B-RN8M8M
	M85x1,5	18,0	18,0	95	105,0	79,0	26,0	B-RN8M8M
M90x1,5	M80x1,5	18,0	21,0	100	111,0	74,0	26,0	B-RN8M8M
	M85x1,5	18,0	21,0	100	111,0	79,0	26,0	B-RN8M8M
	M90x1,5	21,0	21,0	100	111,0	84,0	26,0	B-RN8M8M
M100x1,5	M85x1,5	18,0	21,0	110	123,0	79,0	27,0	B-RN9M8M
	M90x1,5	21,0	21,0	110	123,0	84,0	27,0	B-RN9M8M
	M100x1,5	21,0	21,0	110	123,0	93,0	27,0	B-RN9M9M
M110x1,5	M90x1,5	21,0	21,0	120	133,5	84,0	27,0	B-RN10M8M
	M100x1,5	21,0	21,0	120	133,5	93,0	27,0	B-RN10M9M
	M110x1,5	21,0	21,0	120	133,5	100,0	27,0	B-RN10M10M

PAVO

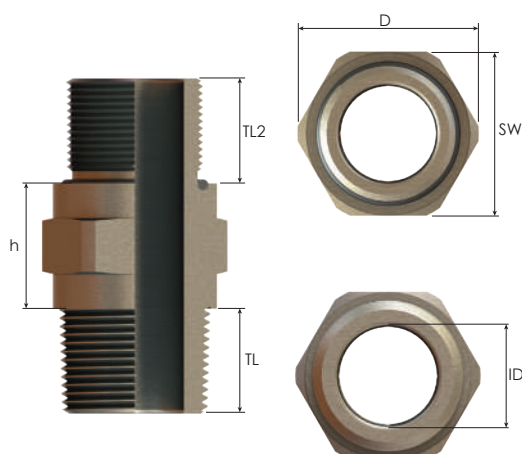
Nipples for Ex d/e Applications



Thread Type NPT > NPT acc. to ANSI ASME B1.20.1								
Outer Thread Size (Male)	Outer Thread Size 2 (Male)	Outer Thread Length	Outer Thread Length 2	Spanner Width	Outer Ø	Inner Ø	Height	Part Number
		TL mm	TL2 mm	SW mm	D mm	ID mm	h mm	
NPT 3/8"	NPT 3/8"	15,0	15,0	20	22,0	12,0	18,0	B-RN01N01N
NPT 1/2"	NPT 3/8"	15,0	15,0	24	26,5	12,0	18,0	B-RN1N01N
	NPT 1/2"	15,0	15,0	24	26,5	15,5	18,0	B-RN1N1N
NPT 3/4"	NPT 3/8"	15,0	15,0	32	35,0	12,0	20,0	B-RN2N01N
	NPT 1/2"	15,0	15,0	32	35,0	15,5	20,0	B-RN2N1N
	NPT 3/4"	15,0	15,0	32	35,0	19,0	20,0	B-RN2N2N
NPT 1"	NPT 1/2"	15,0	15,0	36	39,5	15,5	20,0	B-RN3N1N
	NPT 3/4"	15,0	15,0	36	39,5	19,0	20,0	B-RN3N2N
	NPT 1"	15,0	15,0	36	39,5	25,0	20,0	B-RN3N3N
NPT 1 1/4"	NPT 3/4"	15,0	18,0	45	50,0	19,0	23,0	B-RN4N2N
	NPT 1"	15,0	18,0	45	50,0	25,0	23,0	B-RN4N3N
	NPT 1 1/4"	18,0	18,0	45	50,0	33,0	20,0	B-RN4N4N
NPT 1 1/2"	NPT 1"	15,0	18,0	55	61,0	25,0	25,0	B-RN5N3N
	NPT 1 1/4"	18,0	18,0	55	61,0	33,0	22,0	B-RN5N4N
	NPT 1 1/2"	18,0	18,0	55	61,0	40,0	22,0	B-RN5N5N
NPT 2"	NPT 1 1/4"	18,0	18,0	65	72,0	33,0	22,0	B-RN6N4N
	NPT 1 1/2"	18,0	18,0	65	72,0	40,0	22,0	B-RN6N5N
	NPT 2"	18,0	18,0	65	72,0	52,0	22,0	B-RN6N6N
NPT 2 1/2"	NPT 1 1/2"	18,0	28,0	80	88,5	40,0	36,0	B-RN7N5N
	NPT 2"	18,0	28,0	80	88,5	52,0	36,0	B-RN7N6N
	NPT 2 1/2"	28,0	28,0	80	88,5	62,0	26,0	B-RN7N7N
NPT 3"	NPT 2"	18,0	28,0	95	105,0	52,0	36,0	B-RN8N6N
	NPT 2 1/2"	28,0	28,0	95	105,0	62,0	26,0	B-RN8N7N
	NPT 3"	28,0	28,0	95	105,0	75,0	26,0	B-RN8N8N
NPT 3 1/2"	NPT 2 1/2"	28,0	28,0	110	123,0	62,0	27,0	B-RN9N7N
	NPT 3"	28,0	28,0	110	123,0	75,0	27,0	B-RN9N8N
	NPT 3 1/2"	28,0	28,0	110	123,0	87,5	27,0	B-RN9N9N
NPT 4"	NPT 3"	28,0	28,0	120	133,5	75,0	27,0	B-RN10N8N
	NPT 3 1/2"	28,0	28,0	120	133,5	87,5	27,0	B-RN10N9N
	NPT 4"	28,0	28,0	120	133,5	100,0	27,0	B-RN10N10N

PAVO

Nipples for Ex d/e Applications



Thread Type **NPT** acc. to ANSI ASME B1.20.1 > **METRIC** acc. to ISO 965-3

Outer Thread Size (Male)	Inner Thread Size 2 (Male)	Outer Thread Length	Outer Thread Length 2	Spanner Width	Outer Ø	Inner Ø	Height	Part Number
		TL mm	TL 2 mm	SW mm	D mm	ID mm	h mm	
NPT 3/8"	M16x1,5	15,0	15,0	20	22,0	10,0	18,0	B-RN01N01M
NPT 1/2"	M16x1,5	15,0	15,0	24	26,5	10,0	18,0	B-RN1N01M
	M20x1,5	15,0	15,0	24	26,5	14,0	18,0	B-RN1N1M
NPT 3/4"	M16x1,5	15,0	15,0	32	35,0	10,0	20,0	B-RN2N01M
	M20x1,5	15,0	15,0	32	35,0	14,0	20,0	B-RN2N1M
	M25x1,5	15,0	15,0	32	35,0	19,0	20,0	B-RN2N2M
NPT 1"	M20x1,5	15,0	15,0	36	39,5	14,0	20,0	B-RN3N1M
	M25x1,5	15,0	15,0	36	39,5	19,0	20,0	B-RN3N2M
	M32x1,5	15,0	15,0	36	39,5	26,0	20,0	B-RN3N3M
NPT 1 1/4"	M25x1,5	15,0	18,0	45	50,0	19,0	20,0	B-RN4N2M
	M32x1,5	15,0	18,0	45	50,0	26,0	20,0	B-RN4N3M
	M40x1,5	18,0	18,0	45	50,0	33,0	20,0	B-RN4N4M
NPT 1 1/2"	M32x1,5	15,0	18,0	55	61,0	26,0	22,0	B-RN5N3M
	M40x1,5	18,0	18,0	55	61,0	33,0	22,0	B-RN5N4M
	M50x1,5	18,0	18,0	55	61,0	40,0	22,0	B-RN5N5M
NPT 2"	M50x1,5	18,0	18,0	65	72,0	40,0	22,0	B-RN6N5M
	M60x1,5	18,0	18,0	65	72,0	50,0	22,0	B-RN6N6M
	M63x1,5	18,0	18,0	70	77,0	52,0	22,0	B-RN6N6M
NPT 2 1/2"	M63x1,5	18,0	28,0	80	88,5	52,0	26,0	B-RN7N6M
	M70x1,5	18,0	28,0	80	88,5	57,0	26,0	B-RN7N7M
	M75x1,5	18,0	28,0	85	94,0	62,0	26,0	B-RN7N7M
NPT 3"	M80x1,5	18,0	28,0	95	105,0	67,0	26,0	B-RN8N8M
	M85x1,5	18,0	28,0	95	105,0	72,0	26,0	B-RN8N85M
	M90x1,5	21,0	28,0	95	111,0	75,0	26,0	B-RN8N8M
NPT 3 1/2"	M85x1,5	18,0	28,0	110	123,0	72,0	27,0	B-RN9N85M
	M90x1,5	21,0	28,0	110	123,0	75,0	27,0	B-RN9N8M
	M100x1,5	21,0	28,0	110	123,0	87,5	27,0	B-RN9N9M
NPT 4"	M90x1,5	21,0	28,0	120	133,5	75,0	27,0	B-RN10N8M
	M100x1,5	21,0	28,0	120	133,5	87,5	27,0	B-RN10N9M
	M110x1,5	21,0	28,0	120	133,5	100,0	27,0	B-RN10N10M